

Humidity/Temperature Transmitter

TRH-300 series

TRH-300 series transmitters are designed for accurate relative humidity and temperature measurement, their electrical signal outputs are used for monitoring, control or process applications, with current or voltage outputs. There are available as wall, duct or separated mounting versions, and housing suitable with Watertight enclosure for wet, harsh environments.

Features

- fast, stable and accurate.
- Watertight enclosure.
- Compact size, Easy mounting.
- Excellent Long-term stability.
- Wide input voltage range.
- Available with either current or voltage output.
- On-site, Two point calibration



Model No: TRH-301 Temperature Transmitter
TRH-302 Humidity Transmitter
TRH-303 Temperature and Humidity Transmitter

Specifications

Measurement Range	0 ~ 100% RH 0 ~ 100°C (-5 ~ +50°C, -20 ~ +80°C, 0 ~ 50°C, -40 ~ +60°C available)
Accuracy (At 25°C)	±2 % RH, ±0.2°C (※Power supply = 24VDC)
Long-term stability	Better than 1% RH per year (Typical)
Temp. Compensation	± 0.008%RH/°C (Effect @ 0 %RH)
Response	<15 seconds (90 % at +25°C in moving air over 0.5 M/S)
Sensors	Humidity: Thin-film capacitor Temperature: RTD Pt 100A/B · Pt 1000A/B IEC 751, DIN43760
Output	Current output : Humidity : 4 ~ 20 mA Two wire Temperature: 4 ~ 20 mA Two wire (scalable) Voltage output : 0 to 1V, 0 to 5V, 0 to 10V or 1 to 5V, Selectable ※Other scales possible upon request.
Fine adjustment	Zero and Span adjustable by separated potentiometer.
Power Supply	12 ~ 40V DC
Housing / Protection	ABS plastic watertight enclosure (IP 65)
Cable gland	Liquid-tight nylon, cable Bushing: φ 5-10mm
Ambient Temperature	-40 ~ +85°C (-40 ~ +185°F)
Weight	Approx. 150g

※Specifications are subject to change without notice.

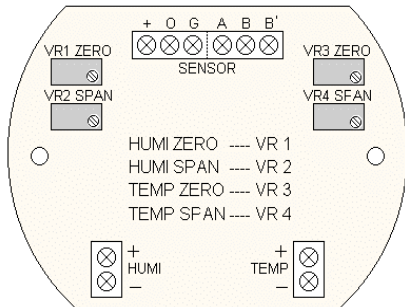
HUMIDITY / TEMPERATURE TRANSMITTER **TRH-300 series**

ORDERING INFORMATION

MODEL NO.	DESCRIPTIONS	
TRH-301	Temperature Transmitter	
TRH-302	Humidity Transmitter	
TRH-303	Humidity / Temperature Transmitter	
SHAPE (Mounting)	W	Wall mount Type
	D	Duct mount type
	S	Sensor separated Type
Output	A	Current output
	V	Voltage output

Example: **TRH-303WA** Humidity and Temperature transmitter, wall mount type, current output.

ON-SITE CALIBRATION & WIRING



Humidity Calibration:

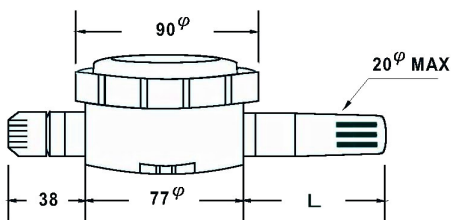
VR 1ZERO Humidity
VR 2SPAN Humidity

Temperature Calibration:

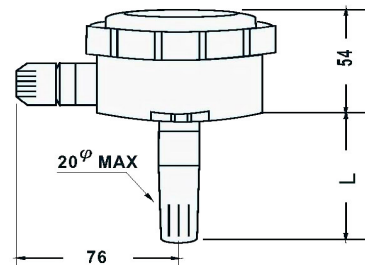
VR 3ZERO Temperature
VR 4SPAN Temperature

EXTERNAL DIMENSIONS (mm)

Wall mount type

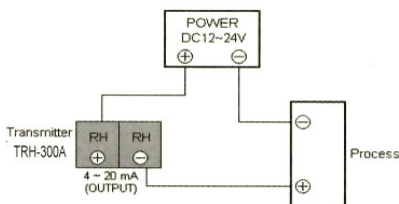


Duct mount type



CONNECTING DIAGRAM

TRH-300A Current output type



TRH-300V Voltage output type

