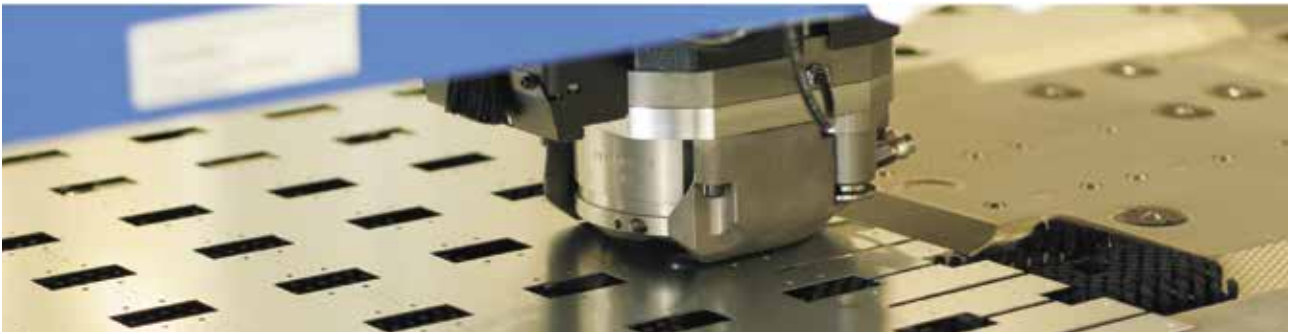




Automation for a Changing World

Delta Multifunction Small Pressure Sensor DPA Series



Features

- Energy-saving mode
- Various unit conversion functions
- Analog output function
- 10 sets of output response time setup
- Various output modes
- 3 sets of color display
- Fast zero reset
- Safety control function
- Easy code display
- Parameter copy function

Various Unit Conversion Functions

DPA Series offers 6 kinds of globally adopted pressure units.



Fast Parameter Copy

DPA Series is able to fast copy the internal parameters to other slaves and saves on repeated parameter setup time.



3-Color LCD Display (Green, Red, Orange)

The large LED with a green, red and orange 3-color LCD display allows users to set the display color according to the ambient environment, such as when the pressure is within normal range or exceeds the allowed range. The display's color is orange when in parameter setup mode. This makes it easy for reading and reduces operation errors.

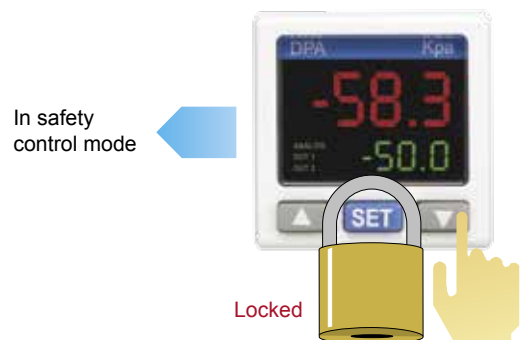


Color for upper/lower limit display (green/red)

Parameter set up (orange)

Safety Control Mode

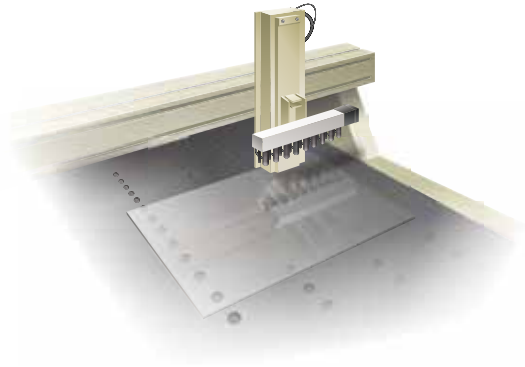
The safety control mode prevents operators from carelessly touching relevant parameters and affecting the operation and production of the equipment.



Field Applications

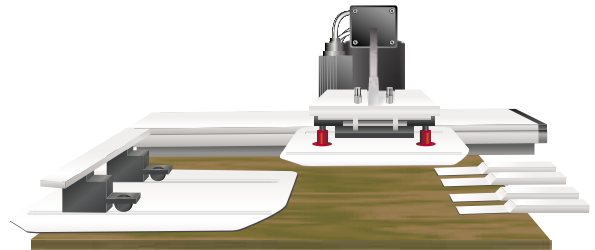
■ Mechanical Processing Industry

Mechanical product processing & fixing



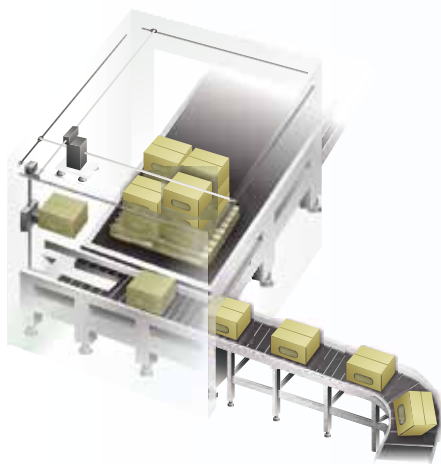
■ Solar Energy Industry

TurnKey module lines suction



■ Food Packaging Industry

Drinks, cans suction & packaging



■ Semiconductor Industry

Wafer suction & loading



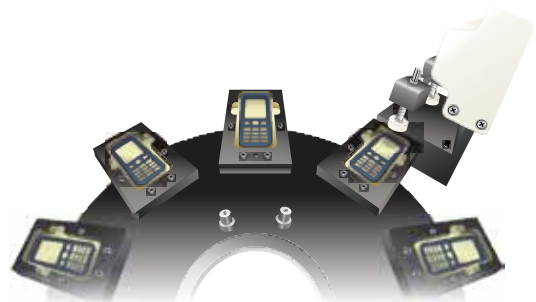
■ Electronic Component Industry

IC component suction & confirm



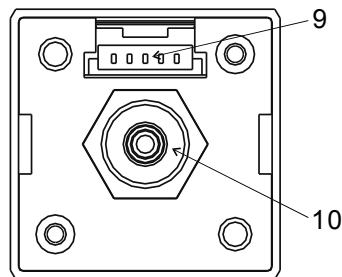
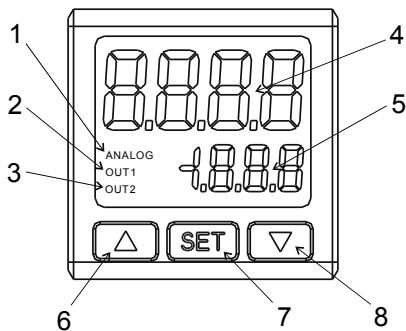
■ Automatic Assembly Industry

Automatic component assembly & confirm



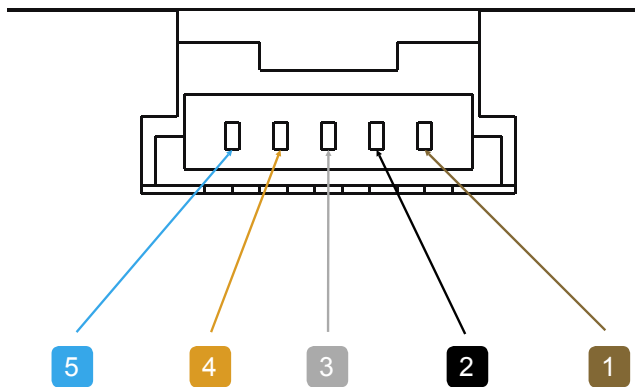
Specifications

Power supply	Voltage range	12 ~ 24V DC +/- 10% no isolation
	Power consumption	40mA Max.; current output type 60mA Max.
Pressure measurement	Pressure type	Non-corrosive gas, gauge type
	Measurable range	DPA01: -100kPa ~ 100kPa DPA10: -100kPa ~ 1,000kPa
	Max. durable pressure	DPA01: 200kPa DPA10: 1,500kPa
	Measurement accuracy	+/- 3% entire process
	Temperature inaccuracy	+/- 2% entire process
	Display	Setup display
Status display		LCD output status display
Display mode		3 colors for different modes
Cycle		250ms, 500ms, 1,000ms
Output	Number of outputs	Built-in 2 NPN or PNP transistor digital outputs and 1 analog output
	Transistor output	NPN: Max. durable pressure 30V/100mA, residual voltage 1.5V PNP: Max. durable pressure 30V/100mA, residual voltage 1.5V
	Analog output	1 ~ 5V: Min. output load resistance 1,000Ω 4 ~ 20mA: Max. output load resistance 400Ω; linear inaccuracy < 2% entire process
	Response time	2ms, 4ms, 10ms, 30ms, 50ms, 100ms, 250ms, 500ms, 1,000ms, 5,000ms
	Output inaccuracy	Linear inaccuracy: < +/- 2% entire process
Pore Size	P	Outer diameter PT1/8, inner diameter M5
	N	Outer diameter NPT1/8, inner diameter M5
	R	Outer diameter Rc1/8, inner diameter M5
Shock immunity		10 ~ 550Hz, 100mm, 3 axes for 2 hours
Vibration immunity		Max. 100m/s ² , 3 axes 6 directions, 3 times each
Ambient temperature		0°C ~ +50°C
Store temperature		-20°C ~ +65°C
Altitude		< 2,000m
Ambient humidity		35% ~ 80% RH (non-condensing)



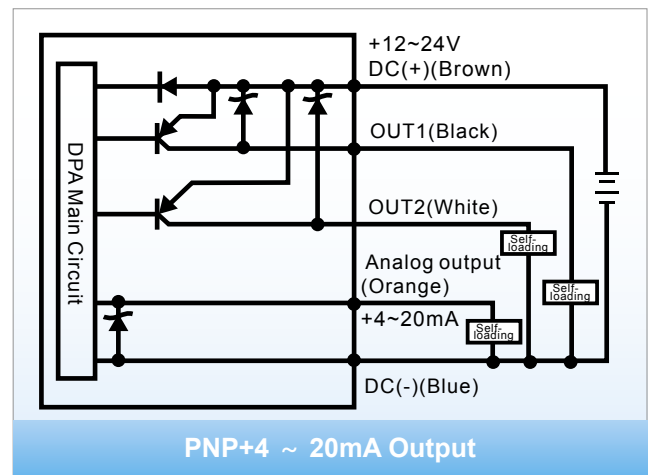
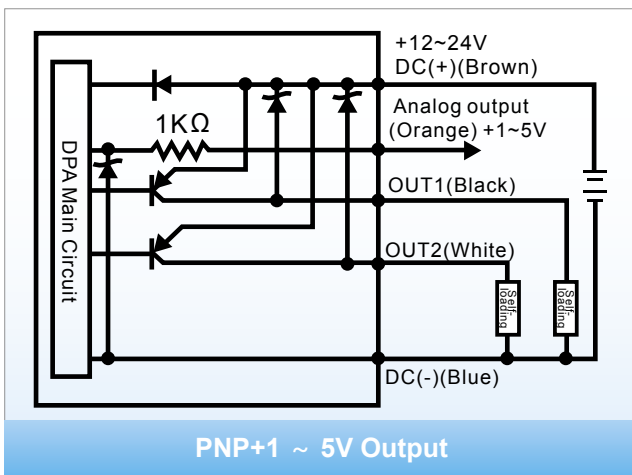
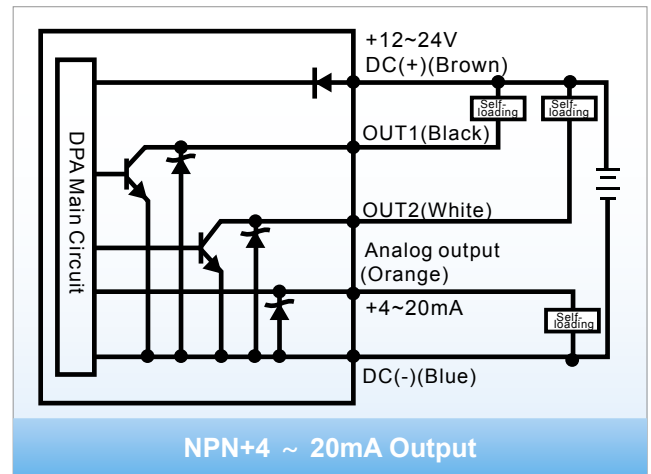
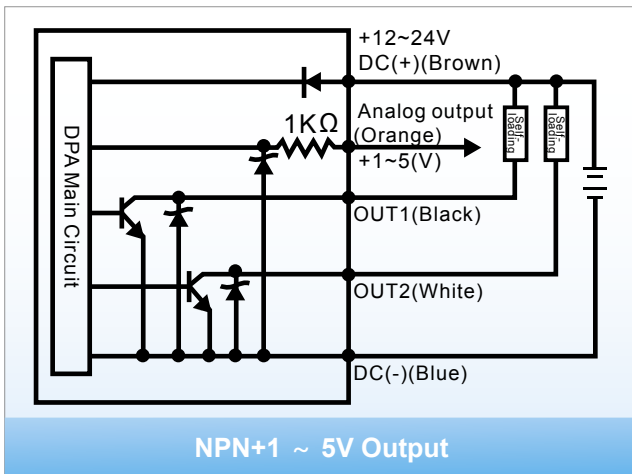
- 1 Analog output indicator
- 2 Digital output 1 indicator
- 3 Digital output 2 indicator
- 4 Pressure/parameter display
- 5 SV/setup item display
- 6 UP key
- 7 SET key
- 8 DOWN key
- 9 Power supply and output terminals
- 10 Pressure input pore

Terminals



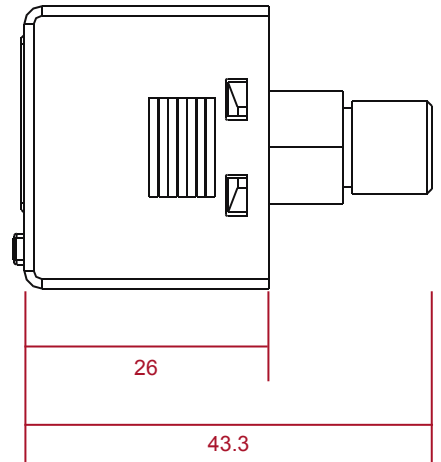
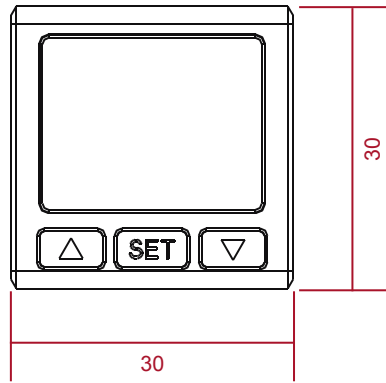
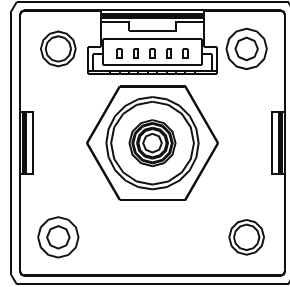
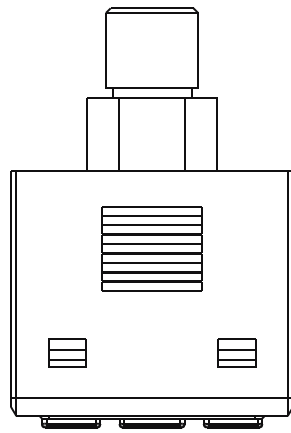
- 1 Positive power supply input (brown)
- 2 Digital output 1 signal (black)
- 3 Digital output 2 signal (white)
- 4 Analog output signal (orange)
- 5 Negative power supply input (blue)

Various Output Control Modes





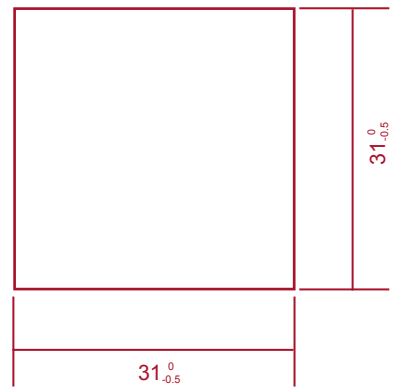
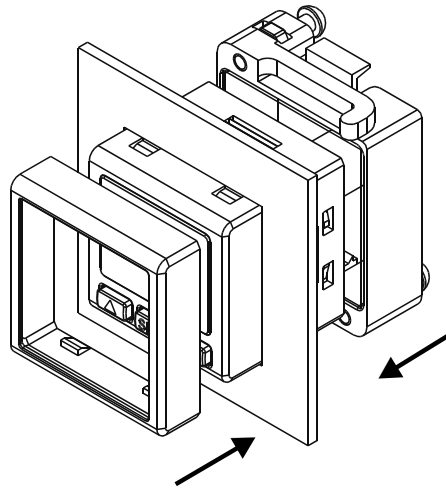
Dimensions



(UNT : mm)

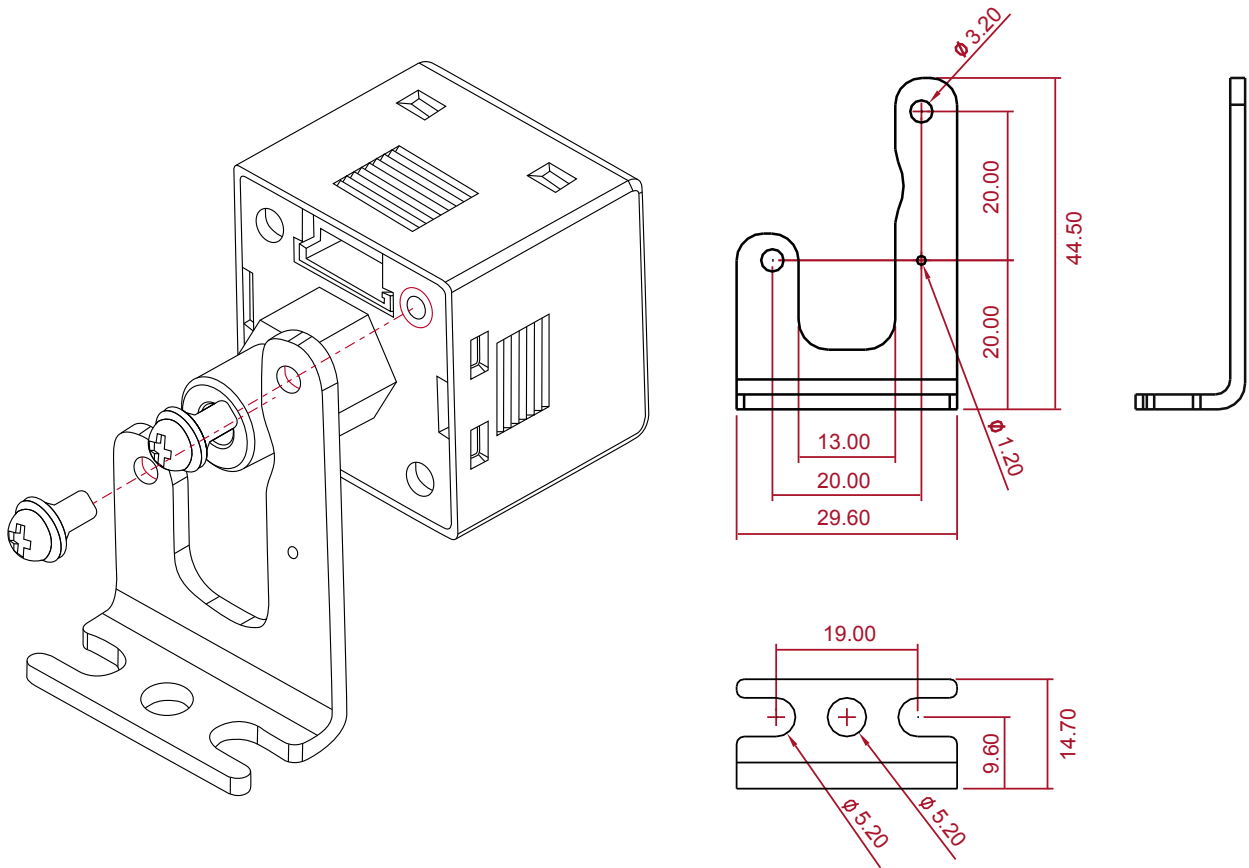
Panel Accessory

Delta Part Number: DPA-PFKit

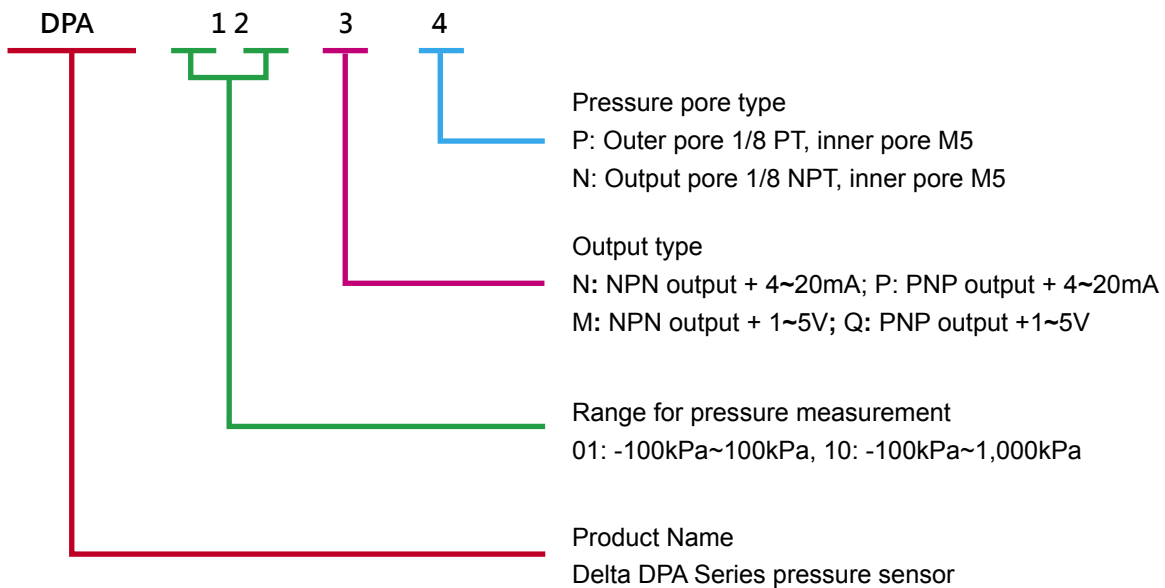


Shelf Accessory

Delta Part Number: DPA-FMKit



Ordering Information





Smarter. Greener. Together.

Industrial Automation Headquarters

Delta Electronics, Inc.

Taoyuan Technology Center
No.18, Xinglong Rd., Taoyuan City,
Taoyuan County 33068, Taiwan
TEL: 886-3-362-6301 / FAX: 886-3-371-6301

Asia

Delta Electronics (Jiangsu) Ltd.

Wujiang Plant 3
1688 Jiangxing East Road,
Wujiang Economic Development Zone
Wujiang City, Jiang Su Province,
People's Republic of China (Post code: 215200)
TEL: 86-512-6340-3008 / FAX: 86-769-6340-7290

Delta Greentech (China) Co., Ltd.

238 Min-Xia Road, Pudong District,
Shanghai, P.R.C.
Post code : 201209
TEL: 86-21-58635678 / FAX: 86-21-58630003

Delta Electronics (Japan), Inc.

Tokyo Office
2-1-14 Minato-ku Shibadaimon,
Tokyo 105-0012, Japan
TEL: 81-3-5733-1111 / FAX: 81-3-5733-1211

Delta Electronics (Korea), Inc.

1511, Byucksan Digital Valley 6-cha, Gasan-dong,
Geumcheon-gu, Seoul, Korea, 153-704
TEL: 82-2-515-5303 / FAX: 82-2-515-5302

Delta Electronics Int'l (S) Pte Ltd

4 Kaki Bukit Ave 1, #05-05, Singapore 417939
TEL: 65-6747-5155 / FAX: 65-6744-9228

Delta Electronics (India) Pvt. Ltd.

Plot No 43 Sector 35, HSIIDC
Gurgaon, PIN 122001, Haryana, India
TEL : 91-124-4874900 / FAX : 91-124-4874945

Americas

Delta Products Corporation (USA)

Raleigh Office
P.O. Box 12173, 5101 Davis Drive,
Research Triangle Park, NC 27709, U.S.A.
TEL: 1-919-767-3800 / FAX: 1-919-767-8080

Delta Greentech (Brasil) S.A

Sao Paulo Office
Rua Itapeva, 26 - 3º andar Edifício Itapeva One-Bela Vista
01332-000-São Paulo-SP-Brazil
TEL: +55 11 3568-3855 / FAX: +55 11 3568-3865

Europe

Deltronics (The Netherlands) B.V.

Eindhoven Office
De Witbogt 15, 5652 AG Eindhoven, The Netherlands
TEL: 31-40-2592850 / FAX: 31-40-2592851

*We reserve the right to change the information in this catalogue without prior notice.