

- ※ HIGH SPEED RESPONSE : 5 KHz
- ※ EASY TO SET OPTIMUM DETECTING STATUS WITH SENSITIVITY & EMITTING AUTOTUNNING
- ※ WHITE LIGHT EMITTER EASY TO DETECT THE RED OR GREEN MARK
- ※ CO-AXIAL DETECTOR DETECTS THE MARK MORE STABLE
- ※ DARK ON/LIGHT ON CHANGEABLE
- ※ NPN & PNP TWO OUTPUT







■ Specification

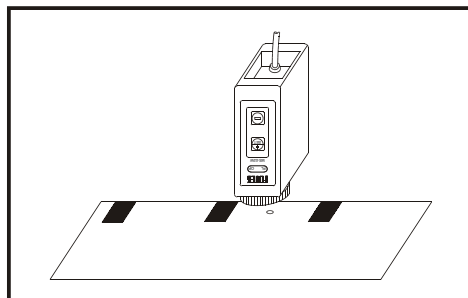
| Type | 型式 | LEAD WIRE | | M12 CONNECTER | |
|---------------------|------|--|----------|---------------|--------------|
| Model | 型號 | MS-02W | MS-02W-H | MS-02W-M12 | MS-02W-H-M12 |
| Response time | 應答時間 | 0.2 mS | 0.1 mS | 0.2 mS | 0.1 mS |
| Setting distance | 設定距離 | 25.0±2.0 mm | | | |
| Emitter | 發射光源 | White Light Led | | | |
| Light spot | 光點 | 2.0 φ | | | |
| Operating voltage | 工作電壓 | 10-30 VDC; Ripple < 20% of peak to peak | | | |
| Current consumption | 消耗電流 | 40 mA max. | | | |
| Output method | 輸出方式 | NPN & PNP two output | | | |
| Output status | 輸出狀態 | NO or NC Changeable | | | |
| Output current | 輸出電流 | 150 mA max. | | | |
| Leakage current | 漏電流 | 0.8 mA max. | | | |
| Residual voltage | 殘留電壓 | 0.8 V max. | | | |
| Protection circuit | 保護電路 | Short Circuit & Polarity Reversed Protection | | | |
| Illumination | 耐外亂光 | Lamplight <5,000Lux; Sunlight < 10,000Lux | | | |
| Connection method | 接線方式 | 4C/5.0 φ × 2m | | M12 x 1.0 | |
| Housing material | 外殼材質 | Intensive PBT | | | |
| Protection class | 保護等級 | Ip-65 | | | |
| Circumstance | 工作環境 | -20°C ~ + 60°C ; 35% ~ 85 % RH | | | |

■ Setting of Sensitivity / 感度設定


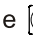
Setting On Background/背景動作設定



After PRESSING The  Key , The LED " PL " Flicks Slowly ,
Then Please Press The  Key to Finish The Setting Of Sensitivity
< LED " PL " & " OP " Turn On >

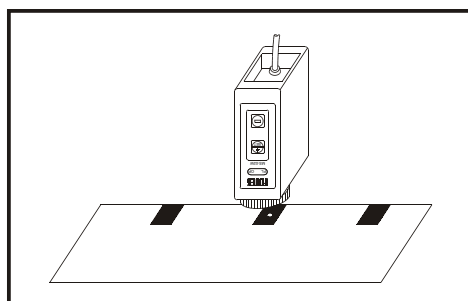
按住  鍵 3 秒後 , " PL " LED 會慢閃
再按  鍵即可完成感度設定
< " PL " 及 " OP " LED 都會亮著 >




Setting On Mark Point/標誌點動作設定



After PRESSING The  Key , The LED " PL " Flicks Slowly ,
Then Please Press The  Key to Finish The Setting Of Sensitivity
< LED " PL " Turn On , LED " OP " Off >

按住  鍵 3 秒後 , " PL " LED 會慢閃
再按  鍵即可完成感度設定
< " PL " LED 亮著 " OP " LED 熄滅 >



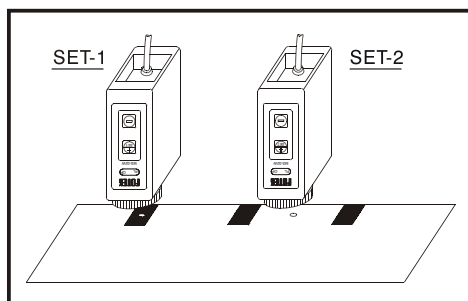
Setting On Two Position/兩點設定

SET 1 : On the Mark Point , After Pressing The  Key 3 Sec. ,
The LED " PL " Flicks Slowly

SET 2 : On the Background ,
High Sensitivity To Press The  Key
Low Sensitivity To Press The  Key

SET 1 : 再標誌點上按  鍵 3 秒 , " PL " LED 會慢閃

SET 2 : 在背景上高感度設定按  鍵 , 低感度設定按  鍵



Remarks/備註



1 > If LED " PL " Flicks Fastly After Finishing Setting , It is The Maximun Sensitivity Condition.


完成設定後 " PL " LED 快閃 , 表示設定成最大感度狀態

2 > On The Detecting Condition , If Pressing The  Key May Add The Sensitivity

Or Pressing The  Key May Reduce The Sensitivity

在檢測狀態 , 按  鍵可以增加感度 , 按  鍵可以減弱感度

3 > To Change The Output Status , Please Keep On Pressing The  Key And Pressing The  Key To Change The Output Status .

< If Keep On Pressing The  Key Over 3 Sec. Will Enter To The Setting Condition >

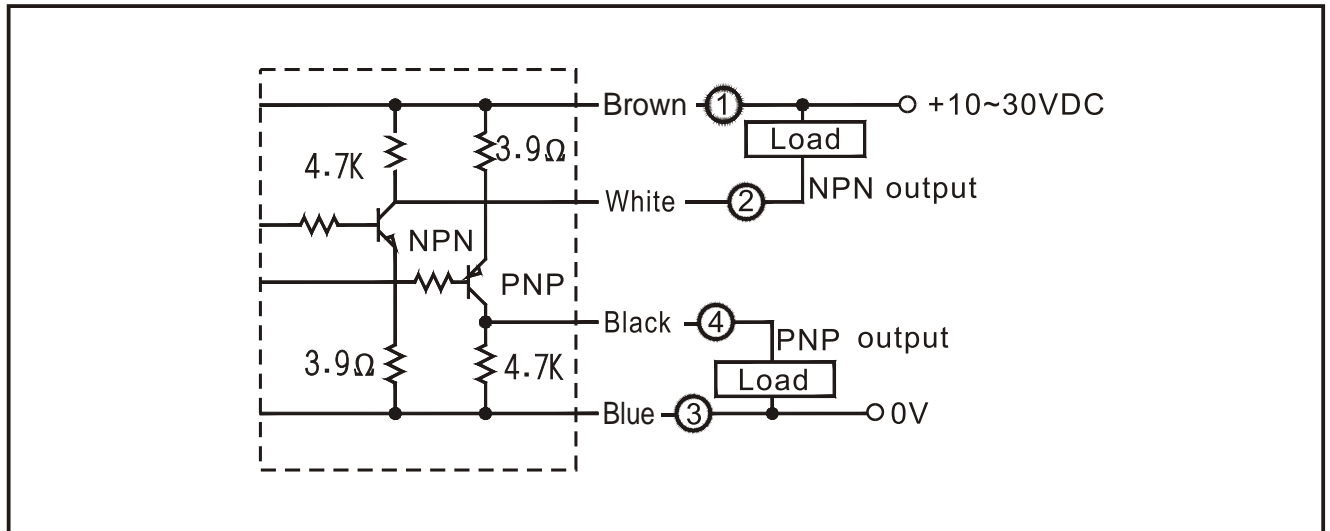
如果要改變輸出狀態 , 請按住  鍵再按  鍵即可改變輸出狀態。

< 注意, 不要持續按  鍵超過3秒 , 否則會進入感度設定狀態 >

4 > On The Detecting Status , LED " PL " Is The Pilot Of Stability

在檢測狀態 , " PL " LED 是穩定指示燈

Output Circuit/輸出迴路



Dimension/尺寸圖

