

BFC Series

Digital fiber optic amplifier communication converter

NEW

■ Features

- Sets all Functional performance and parameters from external devices (PL, PLC)
- Supports various communications : RS485 communication, Serial Communication, SW input
- Connect up to 32 amplifier units (BF5 Series)
- Slim design with depth 10mm(W10×H30×L70mm)



⚠ Please read "Caution for your safety" in operation manual before using.



(acquiring certification)

■ User manual

- Visit our web site (www.autonics.com) to download user manual and communication manual.
- User manual describes for specifications and function, and communication manual describes for RS485 communication (Modbus RTU protocol) and parameter address map data.

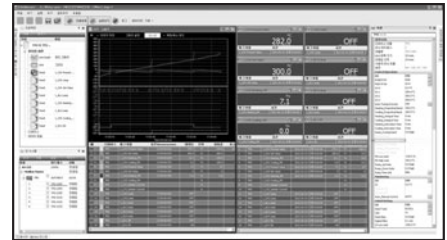
■ Integrated device management program(DAQMaster)

- DAQMaster is a integrated device management program for Autonics TK series providing GUI control for easy and convenient management of parameters and multiple device data monitoring.
- Visit our website (www.autonics.com) to download user manual and integrated device management program.

< Computer specification for using software >

Item	Recommended specification
Processor	IBM PC compatible computer with Intel Pentium III or above
Operating system	Windows 98 / NT / XP / Vista / 7
RAM	Over 256MB
Hard disk	Over 1GB of available space
VGA	Over 1024×768
Others	RS232 serial port, USB port

< DAQMaster screen >



■ Specifications

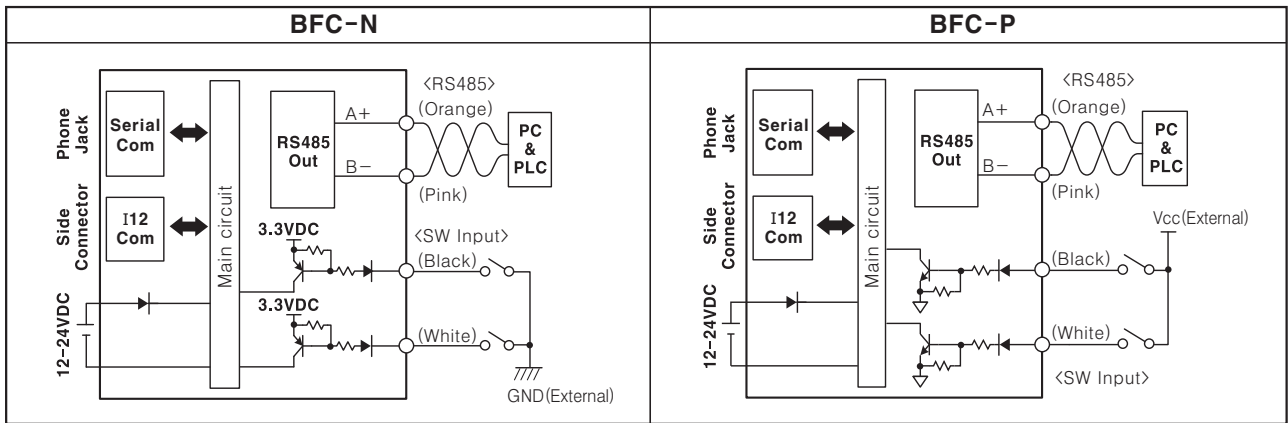
Model	NPN Solid-state input	PNP Solid-state input
	BFC-N	BFC-P
Power supply	(★1) 12-24VDC ±10%	
Current consumption	Max. 40mA	
SW input (SW1, SW2)	LOW : 0-1V, HIGH : 5-24V	
	SW1/SW2 - HH : Standby, HL : BANK0, LH : BANK1, LL : BANK2	SW1/SW2 - LL : Standby, LH : BANK0, HL : BANK1, HH : BANK2
Communication function	RS485 Communication, Serial Communication, SW input	
Communication speed	1200, 2400, 4800, 9600, 19200, 38400bps	
Indication	<ul style="list-style-type: none"> ●Parameter : Red 4digit 7segment ●Setting value : Green 4 digit 7 segment ●Indicator : TX indicator (Red), RX indicator (Green) 	
Function	<ul style="list-style-type: none"> ●Real-time monitoring (incident light level, on/off state) ●Executes every BF5 feature and sets parameter by external device (Master) 	
Ambient temperature	Operation : -10 to 50°C, Storage : -20 to 50°C (at non-freezing state)	
Ambient humidity	35 to 85% RH(at non-freezing state)	
Vibration resistance	1.5 mm amplitude at frequency of 10 to 55Hz in each X, Y, Z direction for 2 hours	
Shock	500m/s ² (Approx. 50G) in X, Y, Z directions for 3 times	
Protection	IP40(IEC standard)	
Material	Case : PBT, Cover : PC	
Accessory	Connector type wire (φ 4, 3P, 2m, AWG 22, Insulator diameter : φ 1.25), Side connector	
Unit weight	Approx. 15g	

(★1) Powered by supply voltage of the amplifier unit connected by a side connector.

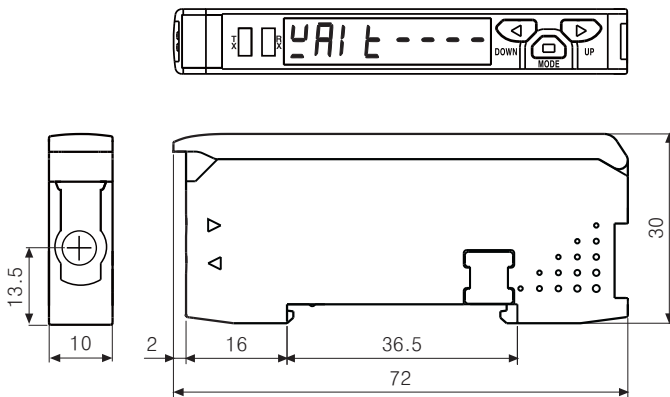
※Environment resistance is rated at no freezing or condensation.

Communication Converter

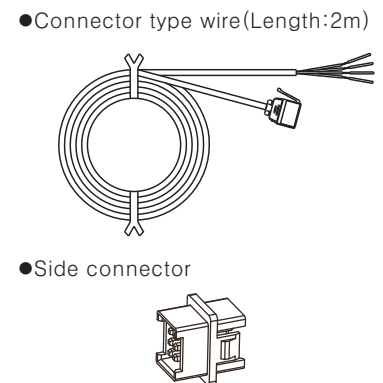
Control output diagram and terminal connections



Dimensions



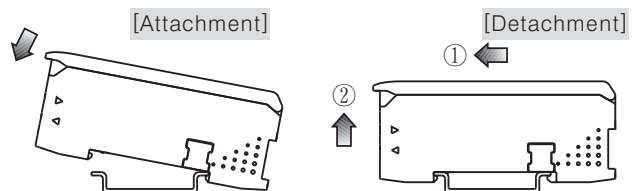
Accessories



Installations

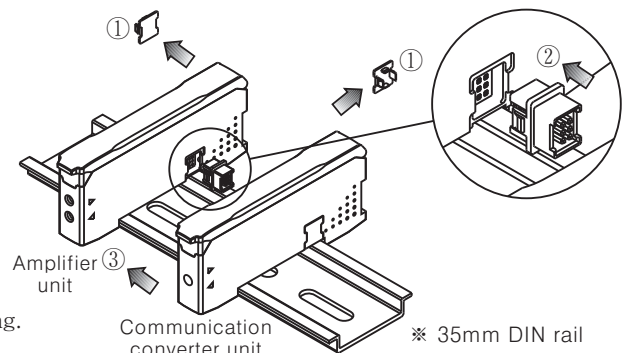
DIN rail installations

- Attachment : Hang up the backside holder on DIN rail and press the unit toward the DIN rail.
- Detachment : Slide the back part and lift up the unit as shown in the figure ① and ②.



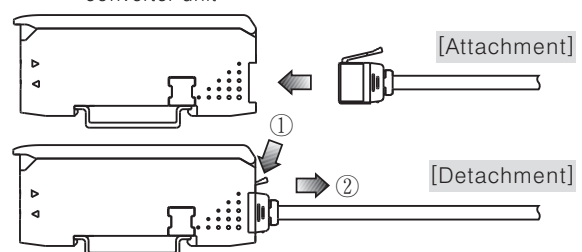
Communication converter unit(BFC Series) and Amplifier unit(BF5 Series) Connection

- Remove the side cover at the side of communication converter unit where amplifier unit will be connected.
- Attach the side connector to the socket on the side of the communication converter.
- After attaching the communication converter unit and the amplifier unit to the DIN rail, push gently to have both units fastened into each other.
- ※ Improper connection may cause malfunction.
- ※ Do not supply the power while connecting or disconnecting.



Connector cable attachment and detachment

- Attachment : Insert the connector cable into the installed communication converter unit on DIN rail until it clicks.
- Detachment : Pull out the connector cable with pressing the connector cable lever downside.



(A) Photo electric sensor

(B) Fiber optic sensor

(C) Door/Area sensor

(D) Proximity sensor

(E) Pressure sensor

(F) Rotary encoder

(G) Connector/Socket

(H) Temp. controller

(I) SSR/Power controller

(J) Counter

(K) Timer

(L) Panel meter

(M) Tacho/Speed/Pulse meter

(N) Display unit

(O) Sensor controller

(P) Switching power supply

(Q) Stepping motor & Driver & Controller

(R) Graphic/Logic panel

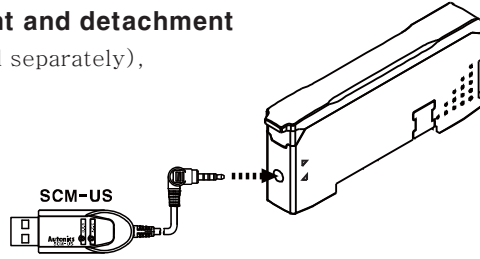
(S) Field network device

(T) Production stoppage models & replacement

BFC Series

◎USB to Serial converter(SCM-US) attachment and detachment

- Connect the USB to Serial converter, SCM-US(sold separately), to PC loader port.



■Accessories [Sold separately]

- SCM-38I (RS232C to RS485 converter)



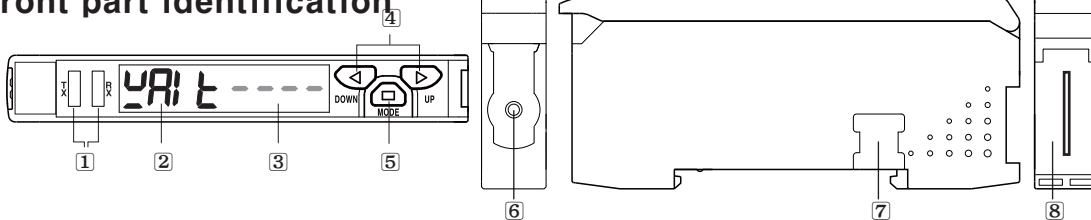
- SCM-US48I (USB to RS485 converter)



- SCM-US (USB to Serial converter)



■Front part identification

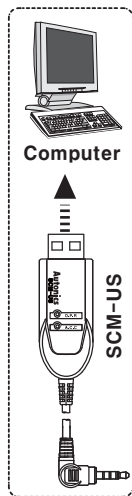


- 1 TX(Send)–Red LED, RX(Receive)–Green LED : Turns on when communicates and inputs SW.
- 2 Parameter indication(4digit Red 7segment) : Indicates parameter and processes of communication instruction/execution.
- 3 Setting value indication(4digit Green 7segment) : Indicates setting value and process of communication instruction/execution.
- 4 UP, DOWN key : To modify setting value.
- 5 MODE key : To shift or select parameter when entering parameter setting mode.
- 6 PC loader port : In case of PC communication, use USB to Serial converter(SCM-US, sold separately).
- 7 Side cover : To connect an amplifier unit, use a side connector(accessory).
Remove the side cover to connect the amplifier unit.
- 8 Connector cable port : The terminal for attaching a connector cable(accessory) is used for RS485 communication or SW input.

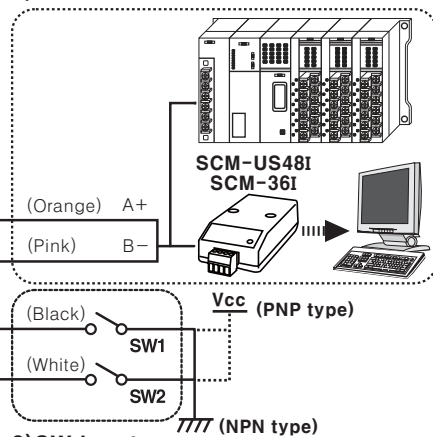
■Communication mode

This communication converter unit supports 2 communication modes and SW input mode.
You can use only 1 mode of 3 modes.

1)Serial communication



2)RS485 communication



3)SW input

※Caution
Do not connect a powered BF5 connector cable to a communication converter unit(BFC).
(It may cause damage the product.)

1)Serial communication

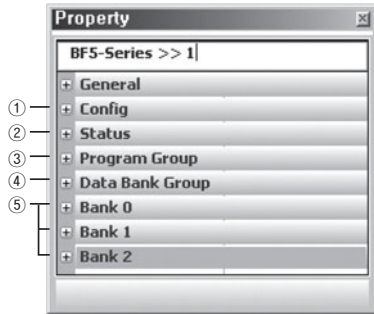
- ①Connect the USB to Serial converter(SCM-US, sold separately) to the PC loader port for communicating with PC.
- ②It is very easy to manage parameters and monitor data of connected amplifier units(BF5 Series) using the integrated management program DAQMaster (free). (Refer to DAQMaster and amplifier unit manuals)

Communication Converter

2)RS485 communication

- PLC connection : ①Connect directly to a PLC using RS485 communication cable of the communication converter unit.
②Amplifier units(BF5 Series) can be controlled through PLC. (Refer to communication converter unit(BFC) communication manual)
- PC connection : ①Connect PC using Communication converter(SCM-38I or SCM-US48I, sold separately). (Refer to Communication converter SCM series manual)
②Same as "1)Serial Communication information line ②".

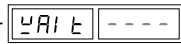
※Following is a screen of DAQMaster properties window of a computer connected communication converter unit.



- ① Config**
Indicates the number of amplifier units connected to the communication converter unit(BFC).
- ② Status**
Indicates the information of the selected amplifier unit(Dual, Single) by channel, connected to communication converter unit(BFC).
- ③ Program Group**
Setting values of the amplifier unit can be changed. When setting values of the amplifier unit changed, TX(Red) and RX(Green) LEDs on communication converter unit will flash indicating application of setting values to the amplifier unit.
- ④ Data Bank Group**
Data bank and group teaching features of amplifier unit can be set. Amplifier unit can be initialized as well.

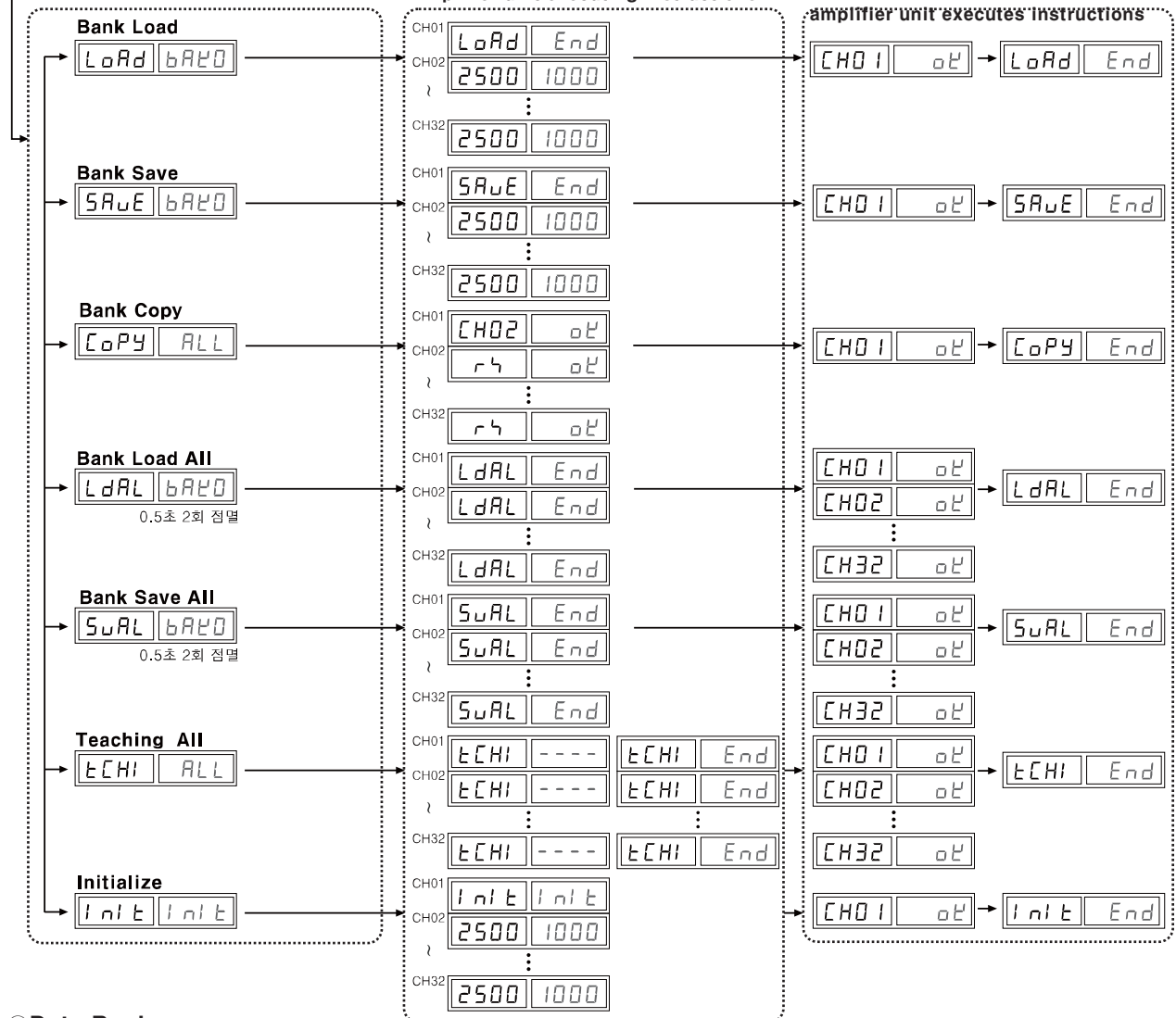
※Indications appear on communication converter and amplifier units depending on applied instruction are shown below.

Communication waiting state



This indicates the waiting state for instructions while preserving master unit(PC,PLC) and communication converter unit real time data transfer(incident light level of the amplifier unit).

Communication converter unit received an instruction from DAQMaster



④ Data Bank

Setting value of data bank(Bank 0, Bank 1, Bank 2) can be saved.

- (A) Photo electric sensor
- (B) Fiber optic sensor
- (C) Door/Area sensor
- (D) Proximity sensor
- (E) Pressure sensor
- (F) Rotary encoder
- (G) Connector/Socket
- (H) Temp. controller
- (I) SSR/ Power controller
- (J) Counter
- (K) Timer
- (L) Panel meter
- (M) Tacho/ Speed/ Pulse meter
- (N) Display unit
- (O) Sensor controller
- (P) Switching power supply
- (Q) Stepping motor & Driver & Controller
- (R) Graphic/ Logic panel
- (S) Field network device
- (T) Production stoppage models & replacement

BFC Series

3)SW input

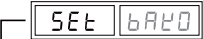
SW input is a feature which allows amplifier unit connected with the communication converter unit to load all banks. Applying signals to SW1(Black) and SW2(White) of the connector cables which is connected to the communication converter unit allows change of banks as shown in chart 1.(SW input signal duration should be longer than 3 seconds.)

[Chart1] Bank selection table based on SW input

	Bank	NPN		PNP	
		SW1	SW2	SW1	SW2
1	Standby signal(Using set Bank)	H	H	L	L
2	Bank 0	H	L	L	H
3	Bank 1	L	H	H	L
4	Bank 2	L	L	H	H

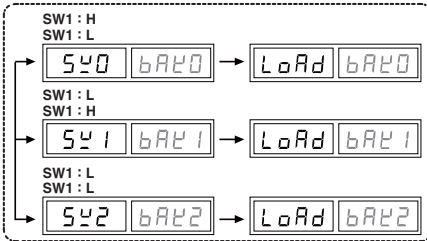
*Indications appear on communication converter and amplifier units depending on applied instruction are shown below.

SW input standby state

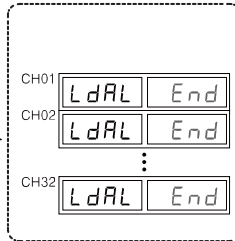


At the standby state as shown above display indicates the current bank in use.

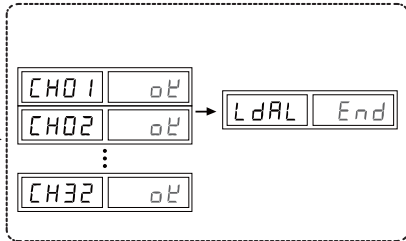
Communication converter unit received SW input signal



Amplifier unit executing instructions



Communication converter unit after amplifier unit executes instructions



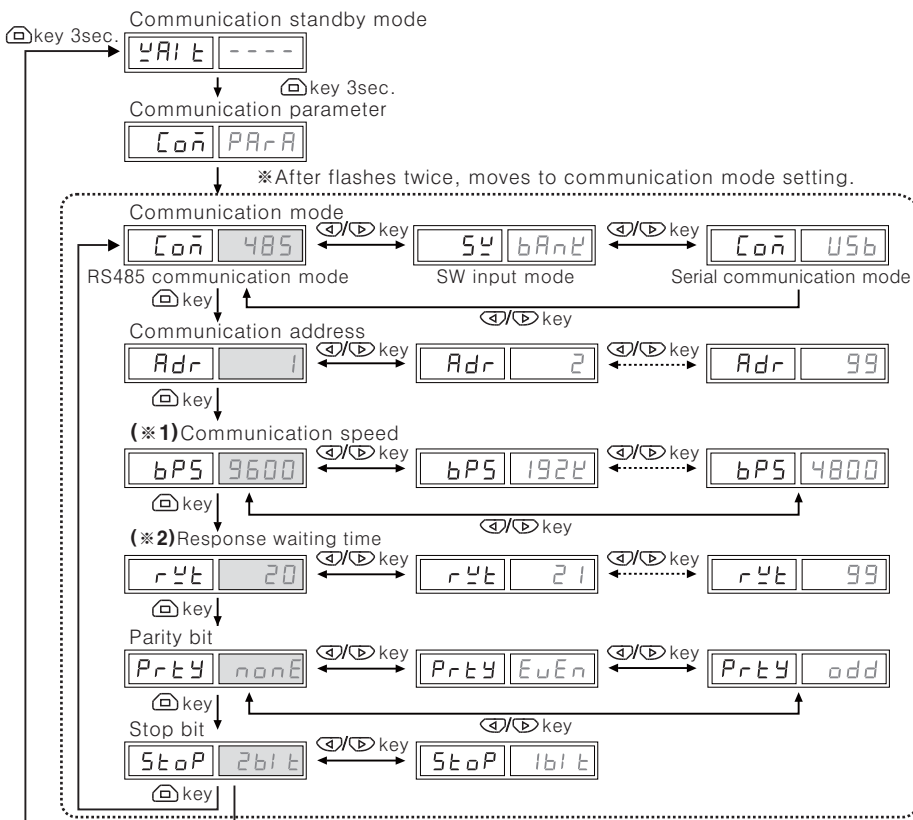
< Communication specification >

Standard	EIA RS485	Standard	EIA RS485
Maximum connections	31 (Address setting: 01 to 99)	Response waiting time	20 to 99ms
Communication method	2-wire half duplex	Start bit	1bit(Fixed)
Synchronization method	Asynchronous	Stop bit	1bit, 2bit
Effective communication distance	Max. 800m	Parity bit	None, Even, Odd
Communication speed	1200, 2400, 4800, 9600, 19200, 38400bps	Data bit	8bit(Fixed)
		Protocol	Modbus RTU

*It is not allowed to set overlapping communication address at the same communication line.

*Please use a proper twist pair for RS485 communication.

Parameter setting



(※1)

Communication speed display	
Speed	Display
1200	1200
2400	2400
4800	4800
9600	9600
19200	192E
38400	384E

(※2) : Communication response waiting time range is 20 to 99ms. (Depending on the number of amplifier units connected, response time may increase up to 350ms.)

※ [Shaded Box] : Factory default

Communication Converter

■ Error code

Error code	Cause	Troubleshooting
ErA	Reading/Writing errors occur while processing data in EEPROM of amplifier unit.	Check the circuitry around EEPROM inside the product.
ErB	<ul style="list-style-type: none"> ●Slave fails to execute Master's group instructions such as Copy/Load/Save/Teaching sent through communication line due to unstable communication line. ●Other communication problems. 	<ul style="list-style-type: none"> ●Check the connection status between communication unit and amplifier units. ●Check the circuitry around the side connector and hardware condition.

Solution methods for communication problems

- 1)Communication errors during Serial or RS485 connections
 - Check if the communication mode selected in communication converter unit suits installation environment.
 - Check and equalize the address of communication converter unit and address set in DAQMaster.
 - Check and equalize the communication port of communication converter unit and the communication port number set in DAQMaster.
- 2)Communication errors during SW signal input
 - Check if the communication mode set in communication converter unit is SW input mode(SW Bank).
 - Check if the connections are made thoroughly depending on NPN or PNP input type.

(A)
Photo
electric
sensor

(B)
Fiber
optic
sensor

(C)
Door/Area
sensor

(D)
Proximity
sensor

(E)
Pressure
sensor

(F)
Rotary
encoder

(G)
Connector/
Socket

(H)
Temp.
controller

(I)
SSR/
Power
controller

(J)
Counter

(K)
Timer

(L)
Panel
meter

(M)
Tacho/
Speed/
Pulse
meter

(N)
Display
unit

(O)
Sensor
controller

(P)
Switching
power
supply

(Q)
Stepping
motor &
Driver &
Controller

(R)
Graphic/
Logic
panel

(S)
Field
network
device

(T)
Production
stoppage
models &
replacement