

CliQ Din Rail Power Supply

24V 240W 1 Phase

DRP024V240W1AA



DRP024V240W1AA

240Watts

Total Power: 240Watts
Input Voltage: 85-264Vac
of Output: Single

Model number DRP024V240W1AA

Reference no. EOE12010005

OUTPUT (DC)

Output power 240W

Output voltage range 22 - 28V

Output current 10A

Residual ripple/peak switching (20MHz) < 50mV / < 240mVpp
(@ nominal values)

Mains buffering at nominal load (typ.) > 20ms @ 115Vac & 230Vac

Line regulation < 0.5% typ. (@ 85 - 264Vac input, 100% load)

Load regulation < 1% typ. (with rated input, 0 - 100% load)

INPUT (AC)

Input voltage range 85 - 264Vac (DC input range 120 - 375Vdc)

Input frequency 47 - 63Hz

Nominal current 2.9A @ 115Vac, 1.5A @ 230Vac

Efficiency > 84% typ.

Power factor Conform to EN61000-3-2 STD

Inrush current limitation I²t (+25°C) typ. No damage at I²t ratings for all I/P devices shall not exceed their rating

Leakage current < 3.5mA

MECHANICAL DESIGN

Case cover Aluminium (Al5052)

Dimensions (L x W x H) 121mm x 85mm x 118.5mm

Unit weight / box 1.040kg

MTBF > 300,000 hrs

Noise Sound pressure level (SPL) < 40dBA

Cooling Convection

Input terminal M4 x 3

Output terminal M4 x 2 (2 pcs.)

Mounting rail Standard TS35 mounting rail

Shock proof IEC60068-2-27

Vibration IEC60068-2-6

Protection structure EN60950 meet IPX0

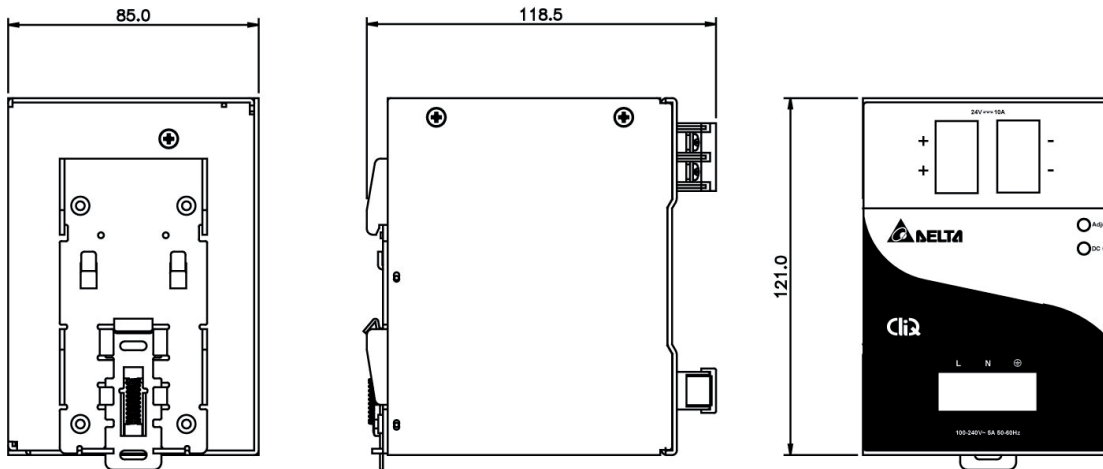
Special Features

- Ease of wire connection to terminals
- Compact design for easy handling
- Overload protection
- Overvoltage protection
- Thermal protection
- Power boost 150% for 3 seconds
- Expected life time : 10 years
- Shock proof IEC60068-2-27
- Vibration IEC60068-2-6
- Cooling : Convection
- Operating Humidity : < 95%
- Redundancy : Yes
(with external ORing diode)
- RoHS compliant



CliQ Din Rail Power Supply 24V 240W 1 Phase DRP024V240W1AA

MECHANICAL DRAWING



Delta Electronics (Thailand)
Public Company Limited
909 Moo 4, E.P.Z.,
Bangpoo Industrial Estate,
Tambon Prakasa, Amphur
Muang Samutprakarn,
Samutprakarn 10280, Thailand
Tel: +662 709 2800
Fax: +662 709 2827
E-mail: VL@delta.co.th
www.deltaenergysystems.com

SAFETY / ENVIRONMENTAL

EMC / Emissions	Class B / EN55022, CISPR22, Class B; FCC Tilt 47; EN61204-3 (Class B on AC & Class A on DC side), EN55022:2006 Class B, EN61000-3-2:2006, EN61000-3-3:1995/ A1:2001/A2:2005
Immunity	EN55024:1998/A1:2001/A2:2003
Safety standard	UL508, CSA C22.2 No.107.1-01, UL60950-1, CSA C22.2 No.60950-1, IEC60950-1, EN60950-1, EN50178, IEC62103 and IEC60204-1
Voltage dips	Conform to EN61000-4-11
Galvanic isolation	Input to output: 4KVac Input to ground: 1.5KVac Output to ground: 1.5KVac
Operating ambient temperature	-20°C ~ 75°C *
Storage temperature	-25°C ~ 85°C
Operating humidity	< 95%
Note (*)	* Operating amb. > 50°C derate power by 2.5% / °C; Operating amb. > 70°C derate po- wer by 4% / °C